

ROCAIR Tools

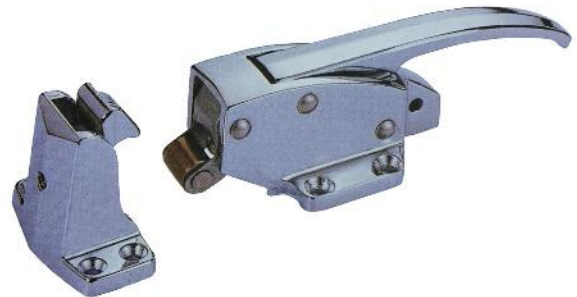


Yi-Card Enterprise Co., Ltd.

Latches



RR-1300 Reach-In Trigger Action Latch
-Adjustable height from 18mm to 30mm



RR-1400P Lever & Roller Latch
-Adjustable height from 18mm to 32mm



RR-1200P Edgemount Mechanical Latch
-Standard strike adjustable from 18mm to 22mm



RR-1178 Safety Latch
-Adjustable height from 35.0 mm to 70.0mm



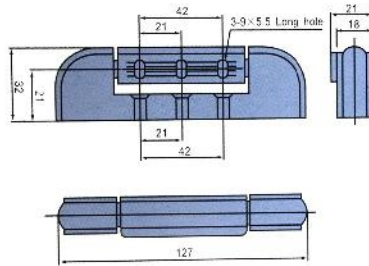
RR-1500 Supplemental Door Handle



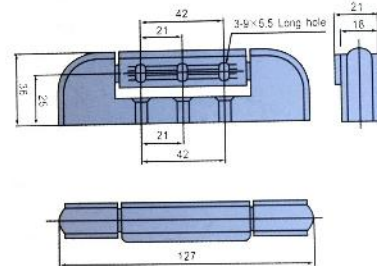
RR-1100
-Glass fiber rod, stainless steel flange and spring with rubber protective wrap.
-Safety-glow plastic knob with fluorescent indication.

Hinges

Edgemount Hinges

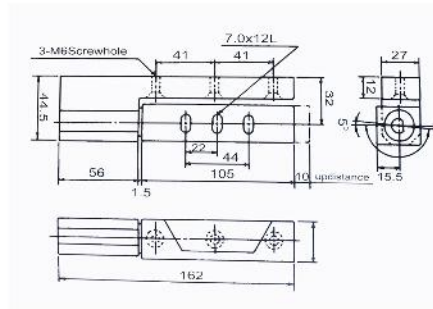


RR-1332 Edgemount Hinge



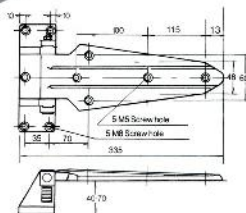
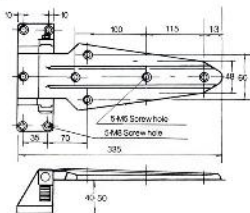
RR-1336 Edgemount Hinge

RR-1132 Edgemount Cam-Lift Hinge



RR-1428 Reach-In Door Hinge

-Self-closing, automatic close within 95° angle or stay open beyond 120° angle.

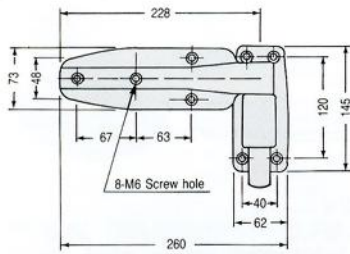


RR-712 Leaf Hinge

RR-1450 Reach-In Door Hinge RR-1470 Reach-In Door Hinge

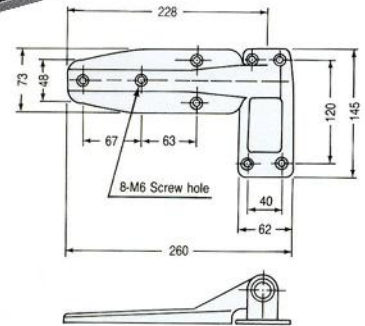
Hinges

Reversible Cam-Lift Hinges



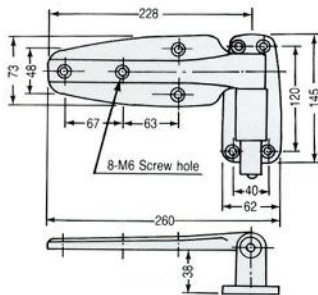
RR-1230S (With Spring)

- Spring-assisted self-closing hinge.
- Automatic close within 120° angle or stay open beyond 120°.



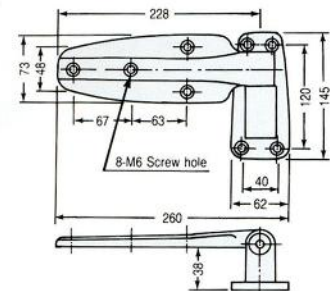
RR-1230N (Without Spring)

- Nylon-assisted



RR-1238S (With Spring)

- Spring-assisted self-closing hinge.
- Automatic close within 120° angle or stay open beyond 120°.



RR-1238N (Without Spring)

- Nylon-assisted

Plastic Panel Fasteners



RR-102L



RR-102M



RR-102S

ROCAIR Yi-Card Enterprise Co., Ltd.

162 Sec. 1, Tai-Yuan Rd., Taichung, 403, Taiwan

E-mail: yicard@ms7.hinet.net

Tel: 886-4-2-314-0193, 4-2-314-1522

Fax: 886-4-2-314-5253, 4-2-311-4648